

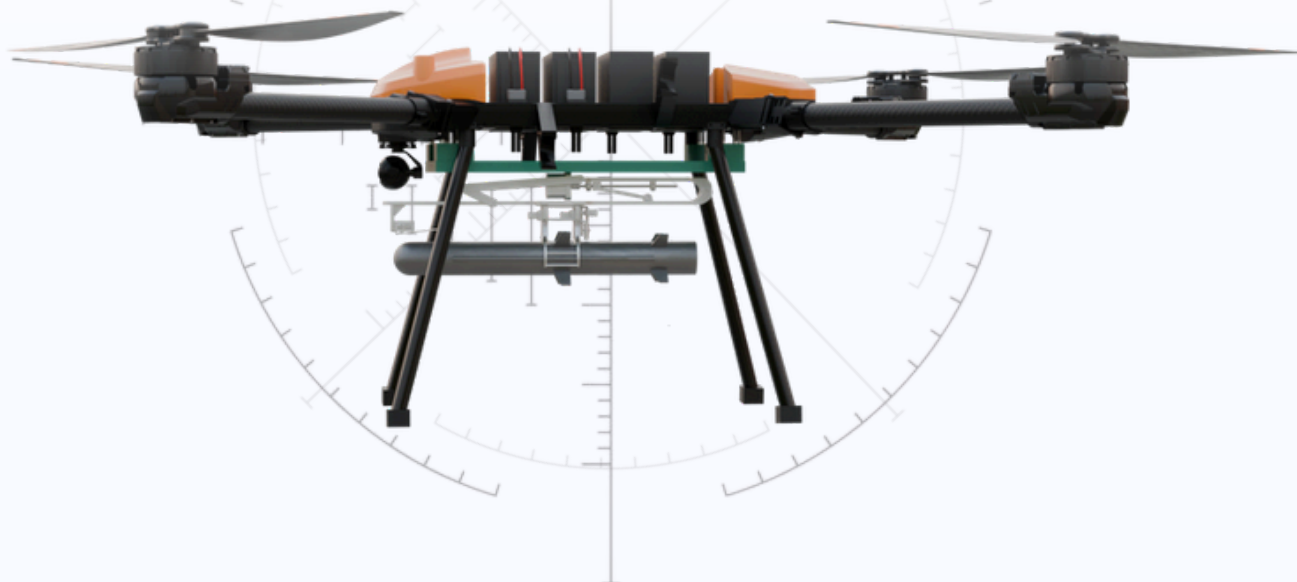


i8 BOMB DROPPER



i8 BOMB DROPPER

Technical Specification



COMMUNICATION

2.4 GHz

CAMERA

Day&Night +IR (EOIR)

ENDURANCE

75 minutes

MAX ALL UP WEIGHT

100 KG

RANGE

20 KM one way

OPERATING TEMPERATURE

-20°C to 60°C

PAYLOAD CAPACITY

15 Kg

CRUISE SPEED

13 m/s

MAX SPEED

20 m/s

MAXIMUM TAKE OFF WEIGHT

70 KG

MAX ALTITUDE

5000 AMSL ft

LxBxH

1632mm x 1659mm x 847 mm

FOLDED DIMENSION

823mm x 925mm x 847mm

WHEEL BASE

2355 mm

DAY & NIGHT CAMERA

10x Zoom, 1920 x 1080 Resolution

IR CAMERA

640 X 480 Resolution

USE CASES :

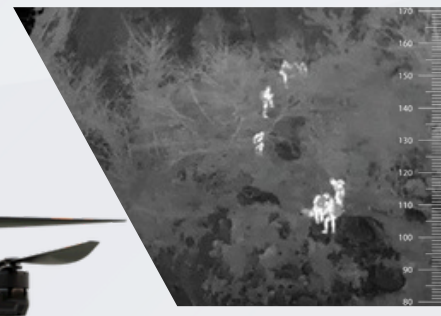


Airborne Deployment, Instant Impact:

Deployed directly from the strike drone launches and reaches operational altitude within seconds. Once airborne, it locks onto its designated target and executes a guided missile strike with pinpoint precision—making it ideal for real-time threat engagement in fast-evolving combat zones. Designed for speed, accuracy, and minimal setup, this drone delivers devastating impact before the enemy can react.

Precision from above :

The strike drone ascends silently, scans for the target using onboard sensors, and executes a top-down missile attack with devastating accuracy. By engaging from altitude, it bypasses ground cover and obstacles, striking directly from above where armor is weakest — ensuring maximum effectiveness with minimum collateral damage. Ideal for urban warfare and high- value target elimination.





iDRONES



Technologies Pvt Ltd


iDRONE TECHNOLOGIES PVT LTD



OM BUSINESS CENTER

Ground Floor, Landmark Annex Building, Opp Rex Chambers,
Ballard Pier, Mumbai 400038, India.

 +91 9702767767
 +91 9363168528

 info@idrones.biz
 www.idrones.biz